

REF

9600 Vibralung® Patient Kit

Quantity: One (1) / Single-Patient Use



Refer to Instructions for Use



This product is not manufactured with natural rubber latex.

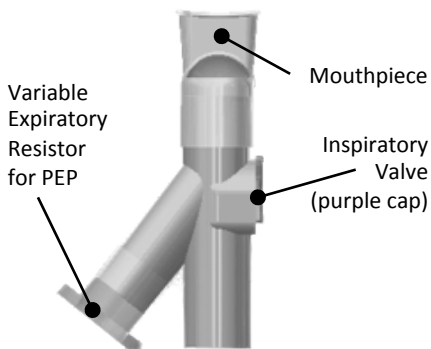


The **Vibralung Acoustical Percussor** is indicated as an airway secretion clearance device that creates vibrations in the airways and as a lung expansion device that applies Positive Expiratory Pressure (PEP) as a patient breathes through the device. It may be used to promote bronchial drainage, airway clearance and expectoration. The Vibralung may be used simultaneously with aerosol drug delivery.

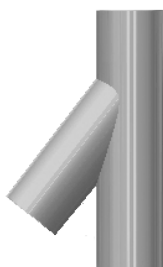
Patient Population.. Cystic Fibrosis, COPD, asthma and lung diseases with secretory problems, patients with neuromuscular disease affecting the ability to effectively cough, and patients with or at risk of developing atelectasis. Anyone who is able to read and/or understand the instructions may use the Vibralung Acoustical Percussor.

Environment of Use. Hospital and home.

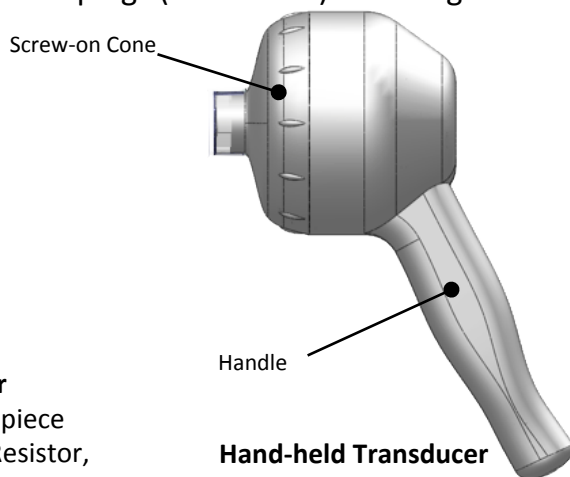
Contents: One (1) each, Standard Y-adapter, Aerosol Y-adapter, Hand-held Transducer (HHT) assembly with screw-on Cone pre-attached and disposable ear plugs (not shown). See diagrams below, size not to scale:



Standard Y-adapter
assembled with mouthpiece
and Variable Expiratory Resistor

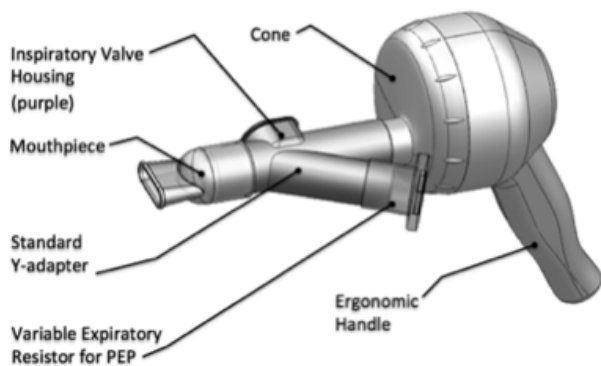


Aerosol Y-adapter
assembled with mouthpiece
and Variable Expiratory Resistor,
to be used with Circulaire II *Hybrid*
aerosol delivery system only

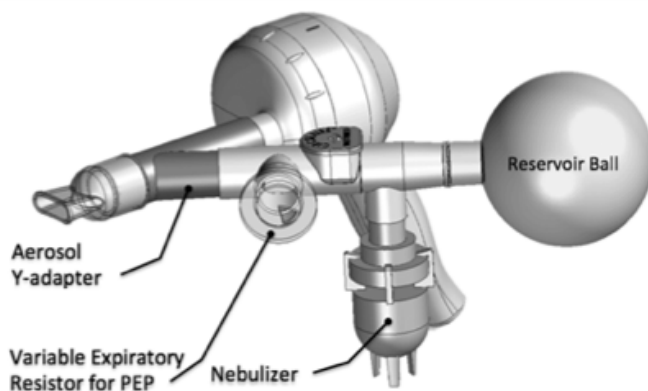


Hand-held Transducer
assembled with screw-on Cone
and connecting cable (not shown)

This device works in conjunction with P/N 9500 "Treatment Control Unit" and will not function without it.



Assembly without Aerosol Device*



Assembly with Aerosol Device*

* **Important:** See Vibralung Acoustical Percussor "Instructions for Use," P/N 71944 (Included with P/N 9500 Vibralung Treatment Control Unit) for Complete Warnings and Cautions; Preparing the Treatment Control Unit (TCU) for the First Use; HHT Assembly Without and With Aerosol; Buttons and Settings on the TCU; Operating Instructions; Treatment Settings; Simultaneous Aerosol Therapy; Troubleshooting; Care, Cleaning and Disposal; Technical Specifications; Electro- magnetic Emissions and Environment; Parts & Accessories; and Service.

Copyright © 2014 Westmed, Inc. All rights reserved.
Vibralung® and Vibralung Acoustical Percussor®
are registered trademarks of VibraLung, Inc.
Circulaire® is a registered trademark of Westmed, Inc.
Circulaire II *Hybrid*™ is a trademark of Westmed, Inc.
PN 73122 Rev 02

Westmed
When Your Care Is Critical

Westmed, Inc
5580 S. Nogales Highway
Tucson, AZ 85706
(800) 975-7987
www.westmedinc.com